



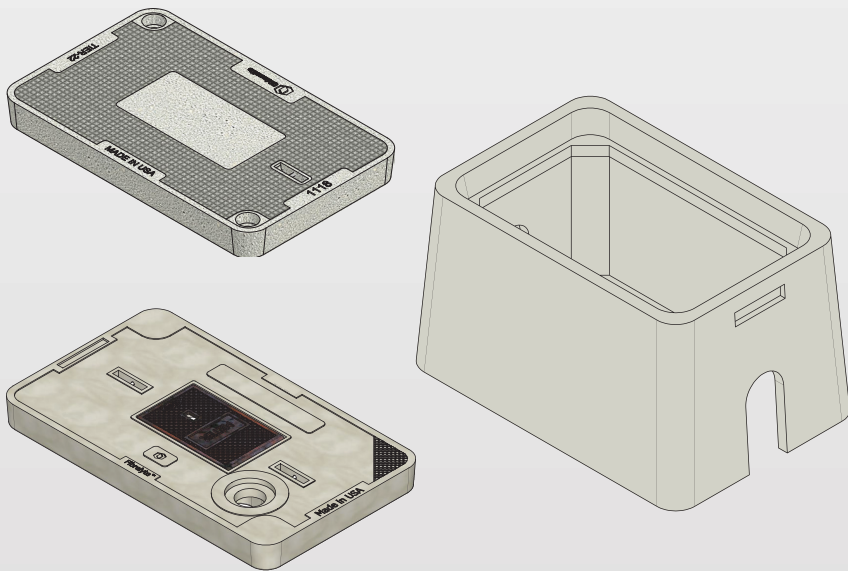
Oldcastle®
Enclosure Solutions

INTRODUCING 1118 FLARED WALL: OLDCASTLE POLYMER ENCLOSURES

Our Oldcastle Polymer line of enclosures deliver strength and durability. We currently offer a broad range of sizes and configurations to meet the requirements for your job. Our new size offering in Oldcastle Polymer is an 1118-12 flared wall unit that can be used with our traditional polymer concrete covers or Fibrelyte FL12 covers. This body can be ordered with one or two mouseholes to accommodate the needs of the job.



OLDCASTLE POLYMER FLARED WALL UNIT



HEAVY DUTY
NON-DELIBERATE TRAFFIC
10K, 20K

Part #	Description	Depth
11182021	1118-12 Body, Polymer Concrete, Flared Wall, 1 Mousehole	12"
11182022	1118-12 Body, Polymer Concrete, Flared Wall, 2 Mouseholes	12"
11182031	1118-12 Body, Polymer Concrete, Flared Wall, 0 Mousehole	12"
11184003	1118 Cover, T22, Polymer Concrete, Blank	-
11184612	1118 Cover, T15, Polymer Concrete, Blank	-
02001363	Cover FL12, Composite, Non Bolt down, Blank	-



VISIT OUR WEBSITE FOR MORE INFORMATION

oldcastleenclosures.com

The information provided in this document is intended for informational purposes only and is subject to change without notice. Oldcastle may also make improvements and/or changes in the products, described in this information at any time without notice.

©2018 Oldcastle, Inc.

OLDCASTLE POLYMER DURABILITY DELIVERED THROUGH INNOVATION.