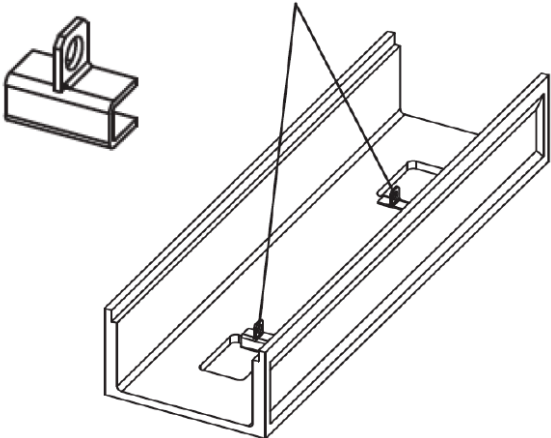
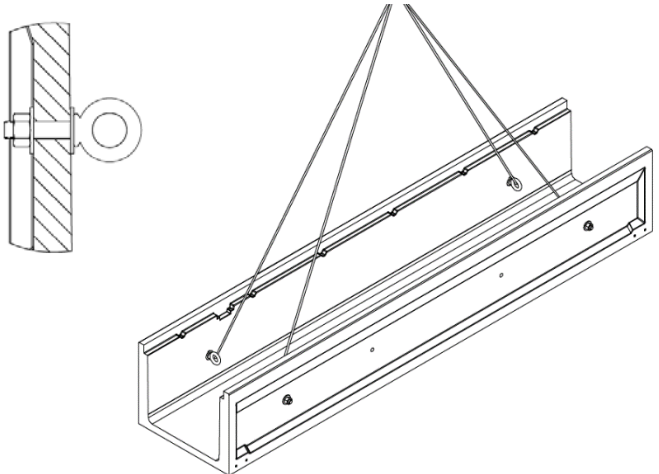


PRODUCT BULLETIN

Publish Date: January 10, 2018
Effective Date: March 1, 2018
Subject: Product Change - Trench Lifting & Handling Method
Products Affected: Plastibeton® Cable Trench Models T128 through T4016

Description of the Change: In an effort to improve safety, streamline product offerings and lead times, and optimize product versatility, Oldcastle Enclosure Solutions (OES) is changing the default lifting method for Plastibeton® Cable Trench.

Affected Models: T128, T1216, T2012, T2016, T3012, T3016, T4016

Previous	New
<p>“U”-shape lifting hooks</p> 	<p>Eye Bolt Hardware</p> 

Customer Impact: These changes will take effect on projects quoted after March 1, 2018. Quotes or orders already in our system will not be impacted.

More Information: Lifting hardware instructions are shown in the Plastibeton® Installation Manual. Your sales representative can also provide further technical information or product drawings. Please see Frequently Asked Questions at the end of this document.

Contact Information: For questions, please contact your Sales Representative or Oldcastle Enclosure Solutions Customer Service at (888) 868-5214.

Frequently Asked Questions

Why are you changing the standard lifting method?

The eye hook method is a safer and more secure lifting method. Certified lifting hardware is used to create a secure connection to the trench. This method is not subject to sliding lift points or judgment in where to pick the trench. Pre-drilled lifting holes are provided in the trench sidewalls.

What lifting method will the 68 Trench use?

The 68 trench is not wide enough to accommodate the eye bolt, so the existing “U”-shape lifting hook will continue to be utilized.

How will this affect mitered/cut trench?

Any cut trench provided by the factory will always include four pre-drilled lifting points.

What if I have a special project that does not allow for sidewall access to attach the eye bolt?

In special circumstances (site obstructions, cable dividers, side-by-side cable trench) attaching or removing the eye bolt may not be possible. In these situations, the previous “U”-shape lifting hook may be provided.

How will this impact current projects?

Projects already designed, quoted, or ordered will not be affected by these changes. This will only apply to new projects designed and quoted after March 1, 2018.