

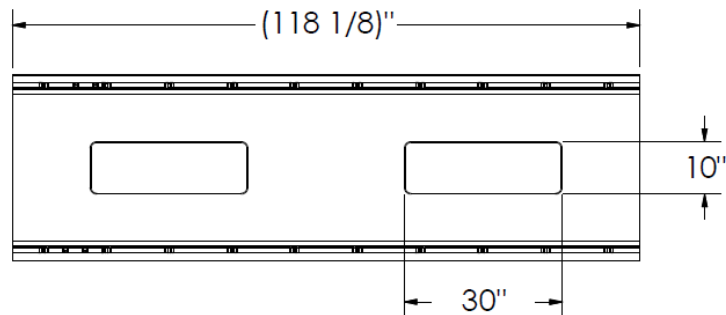
PRODUCT BULLETIN

Publish Date: January 10, 2018
Effective Date: March 1, 2018
Subject: Product Change - Conduit/Drainage Opening Size
Products Affected: Plastibeton Cable Trench Models T2012 through T4016

Description of the Change: In an effort to streamline product offerings and lead times and optimize product versatility, Oldcastle Enclosure Solutions (OES) is changing the standard conduit opening size.

Affected Models: T2012, T2016, T3012, T3016, T4016

Previous	New
Two (2) 10"x15" conduit/drainage openings	Two (2) 10"x30" conduit/drainage openings



Customer Impact: These changes will take effect on projects quoted after March 1, 2018. Quotes or orders already in our system will not be affected.

More Information: Details of the conduit opening options will soon be available in our 2018 Cable Trench Catalog. Your sales representative can also provide further technical information or product drawings. Please see Frequently Asked Questions at the end of this document.

Contact Information: For questions, please contact your Sales Representative or Oldcastle Enclosure Solutions Customer Service at (888) 868-5214.

Frequently Asked Questions

Why are you changing the typical opening size?

We have received overwhelming positive customer feedback in favor of the 10"x30" opening. Many of our customers already prefer and utilize this size opening. The larger openings provide more flexibility for conduit access in the field. Consolidating to a single size offering will optimize product stock and lead times for all customers.

Can I still order a cable trench with a 10"x15" opening?

The affected model sizes will no longer be available with the 10"x15" option.

How will this impact current projects?

Projects already designed, quoted, or ordered will not be affected by these changes. This will only apply to new projects designed and quoted after March 1, 2018.

Will this affect mitered/cut trench?

Some cut trench will require a solid bottom, without openings, to ensure product strength. OES Engineering will determine this on a project-specific basis at the time of quote.